

4205

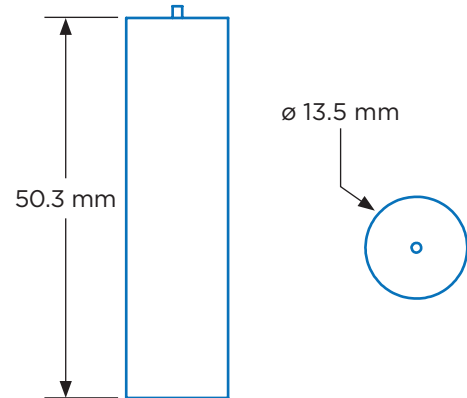
Low Rate AA Cell
Lithium Thionyl Chloride

165LR Series

Physical Characteristics

Chemistry	Thionyl Chloride
Construction	Bobbin
Cell Size	AA
Length¹	50.3 mm
Diameter²	13.5 mm
Cell Weight	17.0 g
Lithium Weight	.5 g
Integrated Safety Fuse	N/A

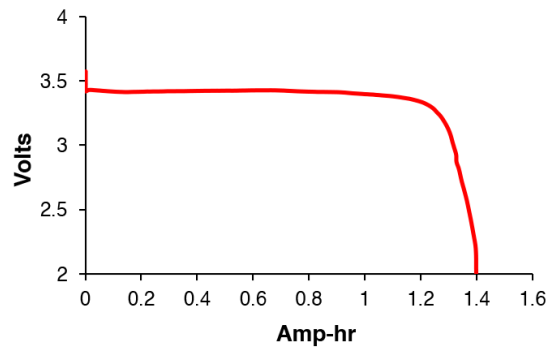
Cell Drawing



Electrical Characteristics

Cell Type	Primary
Open Circuit Voltage (25°C)	3.67 V
Nominal Capacity	1.4 Ah
Maximum Continuous Current	10 mA
Operating Temperature	-40°C to +165°C
Self Discharge Rate	<2% per year
Storage Temperature	≤ 25°C
Discharge Condition	10 mA, 23°C

Discharge Curve
10 mA, 23°C



Key Features

- Primary chemistry (non-rechargeable)
- Low rate capability
- Bobbin style construction
- Stainless steel container
- Hermetic glass-to-metal sealing
- Restricted for transportation (Class 9)
- Custom terminations available

Main Applications³

- Memory back-up
- Animal telemetry
- Low current downhole oil and gas

NOTE: ¹The information on this datasheet is for marketing purposes only. Please consult with Electrochem for more information regarding how our cells will perform within your application. ²The information in this document is subject to change without notice and does not constitute a warranty of performance. ³This product and its external electrical contact materials are RoHS compliant. See our "RoHS Statement" for more information. ⁴The length dimension was based off of a flat termination. The use of other terminations will impact overall cell length. ⁵Diameter measurements include shrink when applicable. ⁶The "Main Application" list does not include all potential applications, please consult Electrochem for your application needs.