

# 4230

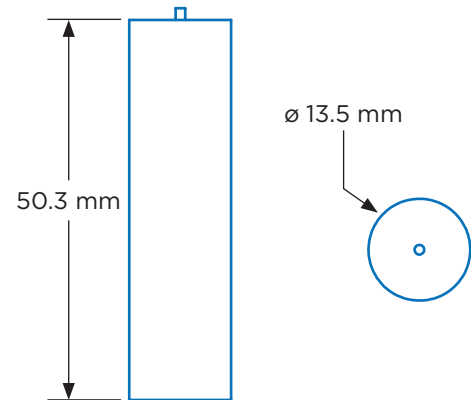
Low Rate AA Cell  
Lithium Thionyl Chloride

## 200LR Series

### Physical Characteristics

<b>Chemistry</b>	Thionyl Chloride
<b>Construction</b>	Bobbin
<b>Cell Size</b>	AA
<b>Length<sup>1</sup></b>	50.3 mm
<b>Diameter<sup>2</sup></b>	13.5 mm
<b>Cell Weight</b>	16.8 g
<b>Lithium Weight</b>	0.7 g
<b>Integrated Safety Fuse</b>	N/A

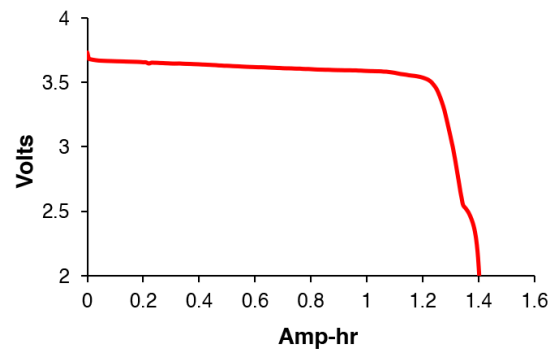
Cell Drawing



### Electrical Characteristics

<b>Cell Type</b>	Primary
<b>Open Circuit Voltage (25°C)</b>	3.67 V
<b>Nominal Capacity</b>	1.4 Ah
<b>Maximum Continuous Current</b>	20 mA
<b>Operating Temperature</b>	+70°C to +200°C
<b>Self Discharge Rate</b>	<2% per year
<b>Storage Temperature</b>	≤ 25°C
<b>Discharge Condition</b>	10 mA, 150°C

Discharge Curve  
10 mA, 150°C



### Key Features

- Primary chemistry (non-rechargeable)
- Low rate capability
- Bobbin style construction
- Stainless steel container
- Hermetic glass-to-metal sealing
- Custom terminations available

### Main Applications<sup>3</sup>

- Memory back-up
- Animal telemetry
- Low current downhole oil and gas

NOTE: <sup>1</sup>The information on this datasheet is for marketing purposes only. Please consult with Electrochem for more information regarding how our cells will perform within your application. <sup>2</sup>The information in this document is subject to change without notice and does not constitute a warranty of performance. <sup>3</sup>This product and its external electrical contact materials are RoHS compliant. See our "RoHS Statement" for more information. <sup>4</sup>The length dimension was based off of a flat termination. The use of other terminations will impact overall cell length. <sup>5</sup>Diameter measurements include shrink when applicable. <sup>6</sup>The "Main Application" list does not include all potential applications, please consult Electrochem for your application needs.