

# 4338

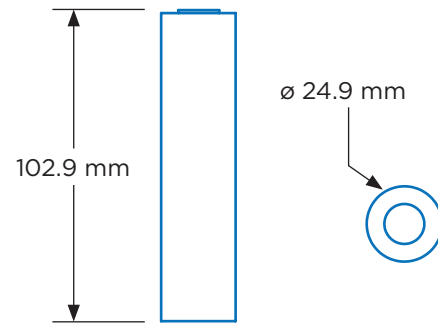
## Moderate Rate CC Cell Lithium Thionyl Chloride

### 165MR Series

#### Physical Characteristics

Cell Drawing

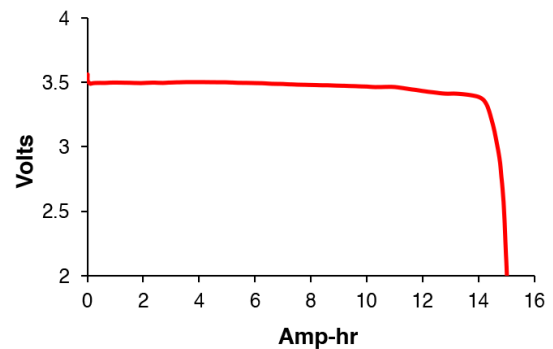
|                               |                  |
|-------------------------------|------------------|
| <b>Chemistry</b>              | Thionyl Chloride |
| <b>Construction</b>           | Dual Anode       |
| <b>Cell Size</b>              | CC               |
| <b>Length<sup>1</sup></b>     | 102.9 mm         |
| <b>Diameter<sup>2</sup></b>   | 24.9 mm          |
| <b>Cell Weight</b>            | 102.6 g          |
| <b>Lithium Weight</b>         | 4.7 g            |
| <b>Integrated Safety Fuse</b> | N/A              |



#### Electrical Characteristics

Discharge Curve  
100 mA, 23°C

|                                    |                 |
|------------------------------------|-----------------|
| <b>Cell Type</b>                   | Primary         |
| <b>Open Circuit Voltage (25°C)</b> | 3.67 V          |
| <b>Nominal Capacity</b>            | 15 Ah           |
| <b>Maximum Continuous Current</b>  | 200 mA          |
| <b>Operating Temperature</b>       | -40°C to +165°C |
| <b>Self Discharge Rate</b>         | <2% per year    |
| <b>Storage Temperature</b>         | ≤ 25°C          |
| <b>Discharge Condition</b>         | 100 mA, 23°C    |



#### Key Features

- Primary chemistry (non-rechargeable)
- Moderate rate capability
- Stainless steel container
- Hermetic glass-to-metal sealing
- Built to withstand extreme shock and vibration
- Restricted for transportation (Class 9)
- Custom terminations available

#### Main Applications<sup>3</sup>

- Downhole oil & gas
  - Measurement While Drilling (MWD)
  - Logging While Drilling (LWD)
- Military devices

NOTE: <sup>1</sup>The information on this datasheet is for marketing purposes only. Please consult with Electrochem for more information regarding how our cells will perform within your application. <sup>2</sup>The information in this document is subject to change without notice and does not constitute a warranty of performance. <sup>3</sup>This product and its external electrical contact materials are RoHS compliant. See our "RoHS Statement" for more information. <sup>4</sup>The length dimension was based off of a flat termination. The use of other terminations will impact overall cell length. <sup>5</sup>Diameter measurements include shrink when applicable. <sup>6</sup>The "Main Application" list does not include all potential applications, please consult Electrochem for your application needs.